

PENETRATIONS MUST BE  
INSERTED PRIOR TO  
CLADDING INSTALLATION

HITEX 50mm DIAMOND  
CAVITY OVER BREATHABLE  
BUILDING PAPER OVER H1.2  
TREATED TIMBER STRICTLY  
TO MANUFACTURERS  
SPECIFICATION

ENSURE PIPE IS SECURELY  
FASTENED AND SET AT A MIN OF  
5 DEGREE FALL (SLIGHT FALL)

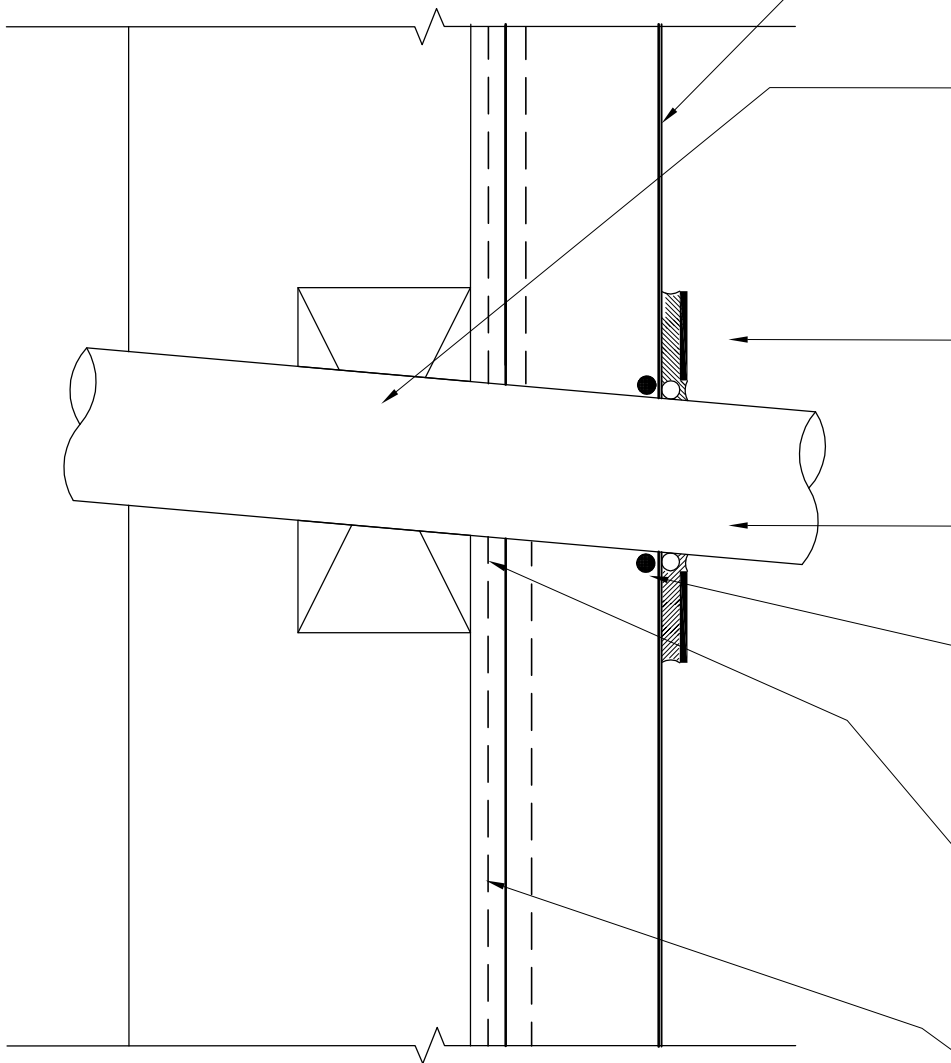
PVC FLANGE INSTALLED BY PLUMBER  
WHERE NECESSARY

SELECTED PIPE

ALTERNATIVE TO UPVC  
FLANGE. INSTALL 10MM WIDE  
6MM DEEP SEALANT ON PEF  
ROD BETWEEN PIPE AND  
HITEX

BUILDING WRAP TURNED OUT  
AND TAPED ONTO PIPE USING  
FLASHING TAPE (25mm AROUND  
PIPE AND 100mm ONTO WRAP)

BREATHABLE BUILDING WRAP



Please visit [www.hitex.co.nz](http://www.hitex.co.nz)  
for our latest drawings.