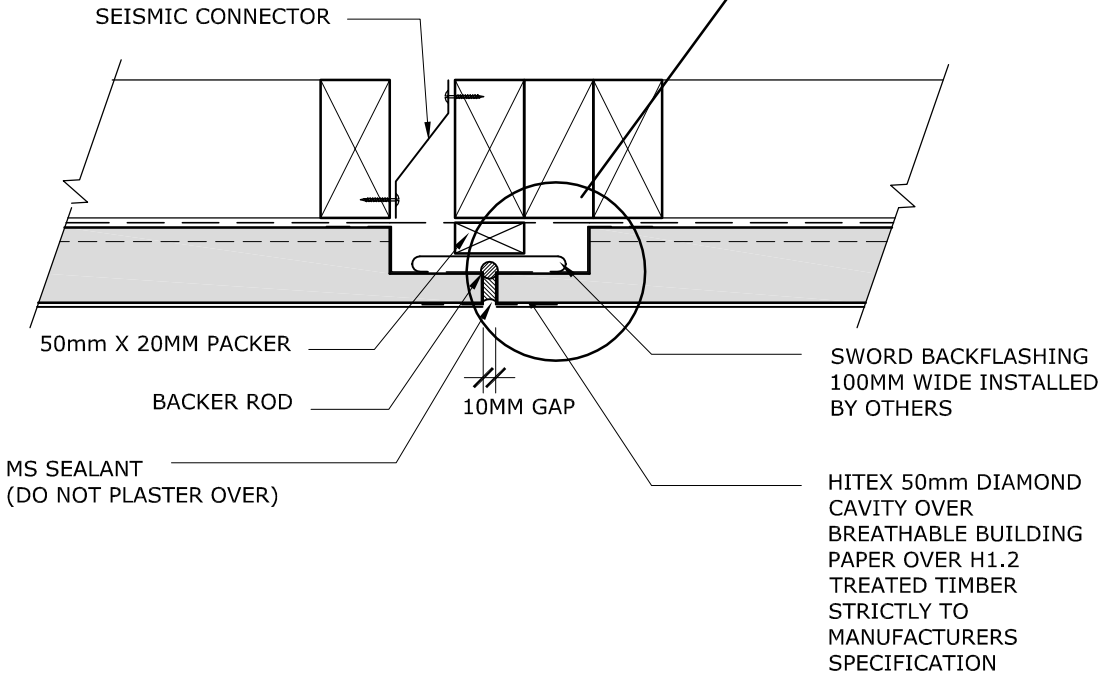


HITEX 50mm  
FACTORY APPLIED  
VERMON PROOF  
DIAMOND CAVITY  
REBATED  
BACKWRAP



Please visit [www.hitex.co.nz](http://www.hitex.co.nz)  
for our latest drawings.