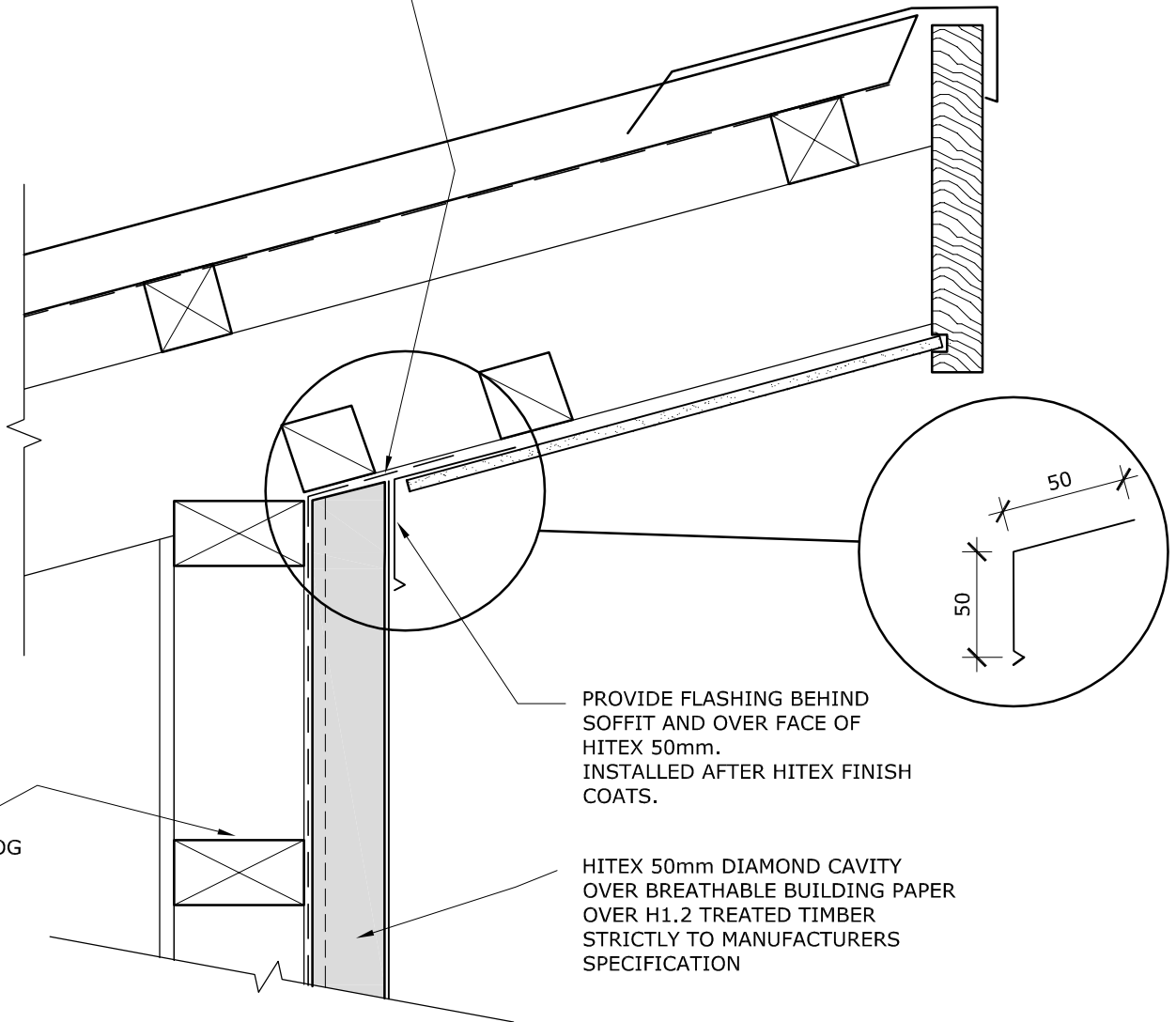


BUILDING PAPER TO RETURN
ALONG SOFFIT 100mm TO
SEPARATE ROOF CAVITY FROM
WALL CAVITY



PROVIDE NOG
WITHIN
300MM OF
SOFFIT FOR
HITEX
SUPPORT

PROVIDE FLASHING BEHIND
SOFFIT AND OVER FACE OF
HITEX 50mm.
INSTALLED AFTER HITEX FINISH
COATS.

HITEX 50mm DIAMOND CAVITY
OVER BREATHABLE BUILDING PAPER
OVER H1.2 TREATED TIMBER
STRICTLY TO MANUFACTURERS
SPECIFICATION

Please visit www.hitex.co.nz
for our latest drawings.