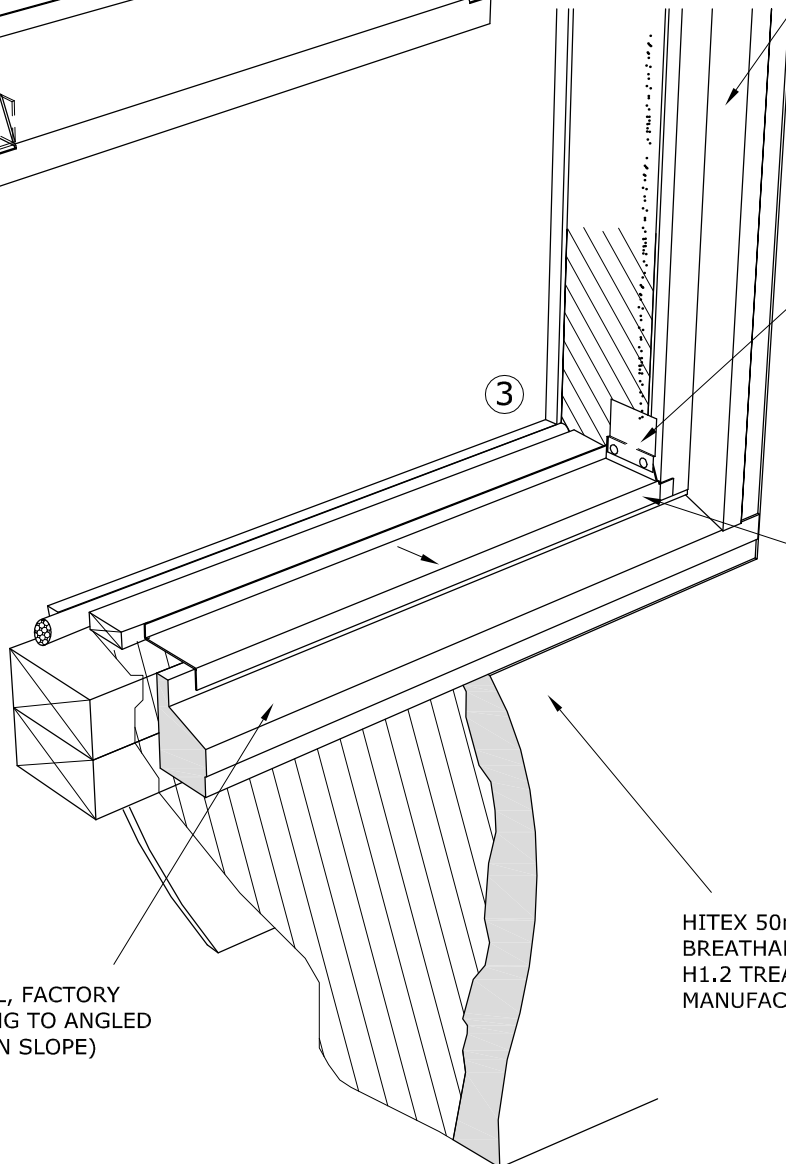


HITEX  
UNDERSILL  
TRAY

HITEX FACTORY  
APPLIED PLASTER AND  
MESH COAT JAMB

TAPE UNDERSILL TRAY  
END UPSTAND TO  
BUILDING PAPER



CREATE IMPRESSION DENT  
DURING INSTALLATION TO  
FRONT EDGE OF SILL TRAY  
AT EITHER END TO MAINTAIN  
FLOW OF WATER TO OUTSIDE

HITEX 50mm DIAMOND CAVITY OVER  
BREATHABLE BUILDING PAPER OVER  
H1.2 TREATED TIMBER STRICTLY TO  
MANUFACTURERS SPECIFICATION

HITEX PROPRIETARY SILL, FACTORY  
APPLIED WATERPROOFING TO ANGLED  
SURFACE(10 DEGREE MIN SLOPE)

Please visit [www.hitex.co.nz](http://www.hitex.co.nz)  
for our latest drawings.